

Technical Information: Litestructures Bandstand

The Bandstand is a fixed hexagonal construction, with a truss grid supported by eight masts. The structure is constructed from Litestructures Astralite 3 Truss, with a combination of standard lengths and custom corners. The structure can be used in two main configurations; with an integral base, or built on an extended base. The standard format has a footprint of 6.7m by 6.7m, or the bandstand is available with an extended base of 9.8m by 9.8m.



Bandstand by Tower Bridge in London

The stage has a central apex height of 5.4m, with a maximum height to grid of 4.2m. The structure can support up to 100kg per bay, although it is not really designed for large loads- the Bandstand XL would be a more suitable structure in this scenario.

The roof of the stage is available covered in either a blue and green, or a red & yellow PVC material. The standard stage base layout is 6.7m by 6.7m, with a platform height of 0.6m (2'), although as with all the stage platforms this can be built at a height to suit to situation. Handrails can be fitted to the sides of the platform as required, along with various ramp and step options for access.



Bandstand with 3' high Platform



Bandstand with 2' high platform



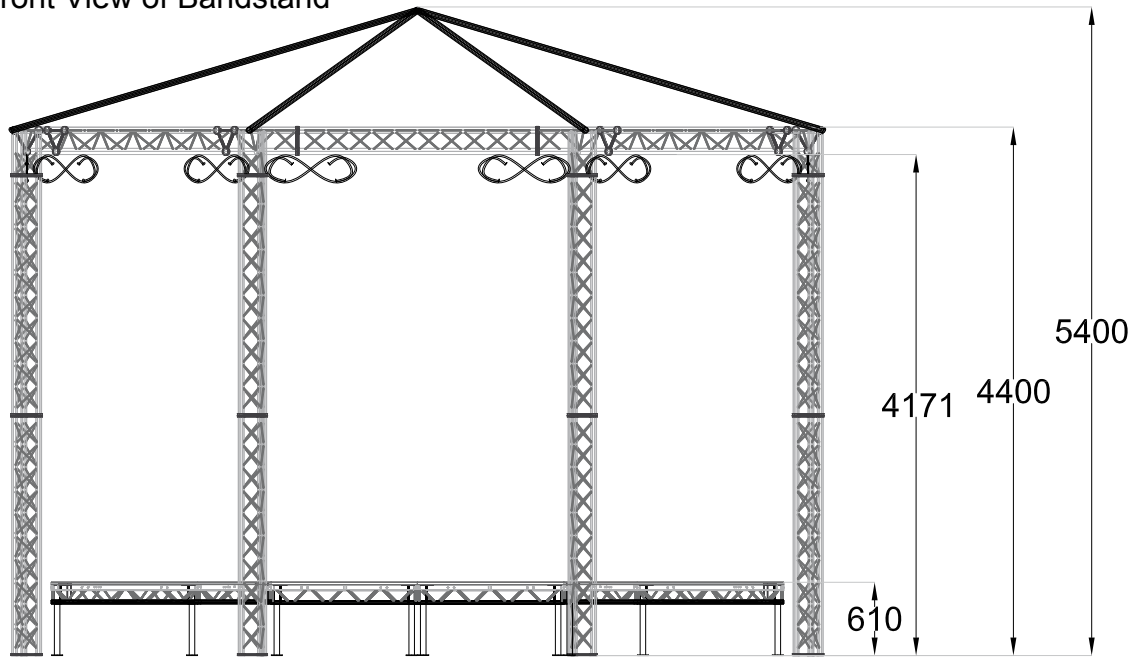
Extended Bandstand with Red & Yellow Canopy

The structure and all its components are all fully rated, tested and certified, and the construction is signed off by a suitably trained technician prior to handover. The structure is secured to the ground using special anchors. In a situation where these cannot be used, it can also be secured to surface ballast containers. However, due to the design and size of the structure, the ballast weight required is minimal. The Bandstand can be installed by a trained team of IPS technicians in a few hours, and removal is marginally quicker. This structure is rated to be used in conditions up to Windspeed 7 (15m/s).

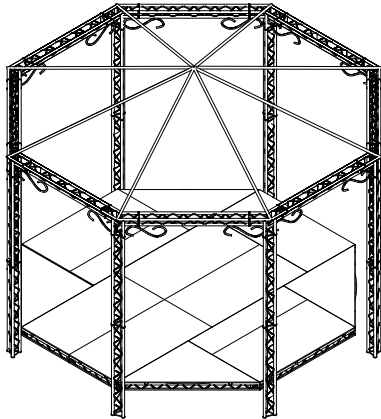
This stage can be supplied as an individual item, or as part of a complete technical production solution. IPS can also supply crowd barrier, stage risers, viewing platforms, FOH control positions, sound systems, special effects, stage and event lighting equipment and much more. Please do not hesitate to contact us for further details.

Technical Information: Litestructures Bandstand

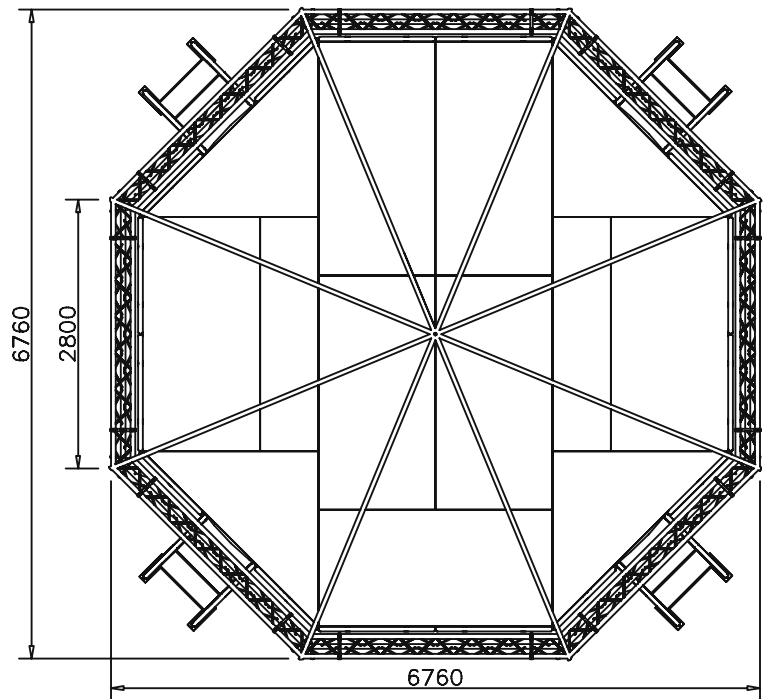
Front View of Bandstand



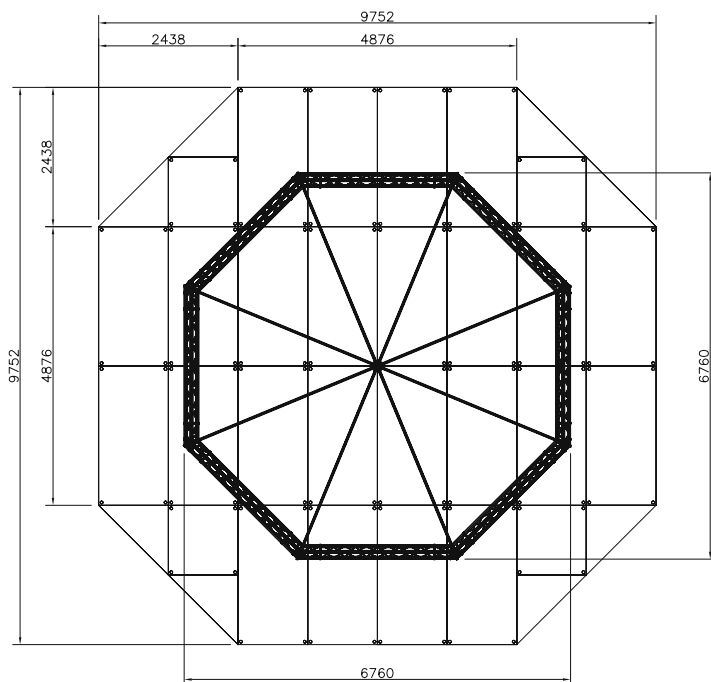
Isometric View of Bandstand



Plan View of Bandstand



Plan View of Bandstand with extended platform



Please note that all dimensions and loadings should be used as a guide. Final details will depend on location and circumstances.